



# Technical Data

four axle tank wagon

**Zacns 88 m<sup>3</sup>**

Demand Nr. **ATIR**

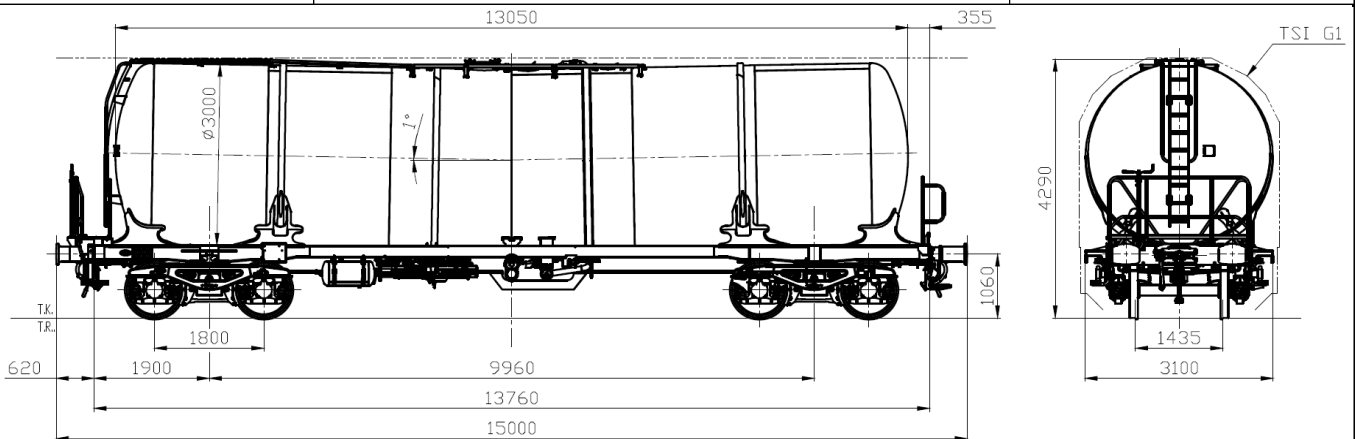
Edited by: **Beneš**

Date: **21.1.2019**

Revision: **0**

Revision date: -

Page: **1 of 2**



## 1. Basic parameters

Dimensions	Track gauge	1 435 mm
	Length over buffers	15 000 mm
	Distance between bogie pivots	9 960 mm
Running gear	Bogie type	Y25 Lsd
	Wheelbase	1 800 mm
	Wheelset type	BA 004
Brake	Brake type	KE-GP (K) alt. MH-GP (K)
	Brake shoe	1xBgu (2x 250)
Draw and buffer gear	Draw gear	EN 15566, 1MN
	Buffers	EN 15551; cat. A
	Stroke	105 mm

Weight	Tare weight of wagon (average)	20,8 t		
	Loading weight	69,2 t		
	Maximum axle load	22,5 t		
	Total weight of wagon	90,0 t		
	<i>Load limit table (for average weight) [t]:</i>			
	A	B	C	D
S	43,2	51,2	61,2	69,2
120	00,0			
Speed	<i>Maximum speed:</i>			
	120 km/h (empty wagon) 100 km/h (loaded wagon up to 22,5 t)			
Vehicle gauge		G1 - EN15273-2		
Wagon meets the conditions		TSI, GCU		

## 2. Tank parameters

Dimensions	Capacity	88 m <sup>3</sup>
	Tank diameter	3 000 mm
	Length of the tank	13 050 mm
	Tank slope	1,0 °
	Tank bottom type	DIN 28011
	Tank bottom thickness (min.)	6,6 mm
	Tank plate thickness	6,3 mm
Rings	Number of rings	4
	Rings material	CS
Heating	Heating type	-
	Heating surface	- m <sup>2</sup>
	Operating pressure	- MPa
	Operating temperature	- °C
	Test pressure	- MPa

Tank calculation parameters	Tank code	L4BH
	Tank material	P355N
	Calculation pressure	0,4 MPa
	Test pressure	0,4 MPa
	Operating pressure	0,3 MPa
	External overpressure	0,04 MPa
	Tank calculation temperature	-20 ÷ 50 °C
	Explosion resistance	yes
	Corrosion allowance	0,5 mm
Insulation	Insulation thickness	- mm
	Insulation material	-
	Insulation shell thickness	- mm
	Insulation shell material	-



# Technical Data

four axle tank wagon

Zacns 88 m<sup>3</sup>

Demand Nr. ATIR

Edited by: Beneš

Date: 21.1.2019

Revision: 0

Revision date: -

Page: 2 of 2

## 3. Charging and discharging device

Upper flanges description:

- |                |                       |
|----------------|-----------------------|
| 1. Manhole     | DN 500                |
| 2. Nozzle      | DN 150, Blind flange  |
| 3. Vent nozzle | DN80, vent. Fort Vale |
| 4. Nozzle      | DN 50 , Blind flange  |
| 5. Nozzle      | DN 80 , Blind flange  |

Lower devices description:

- |                 |   |
|-----------------|---|
| 1. Bottom valve | Fort Vale DN125                                       |
| 2. End valves   | Y-valve, Fort Vale, DN100, Carbon steel, Cap W 5 1/2" |
| 3. Vent pipe    | DN80 , Cap 2"   |

## 4. Additional information

- Conformity with EN12561-2, EN12561-6 and EN12561-7
- Option - without ladder
  - Internal lining

